

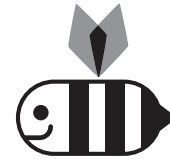
# KIDS WHEELBARROW

*Just roll with it*

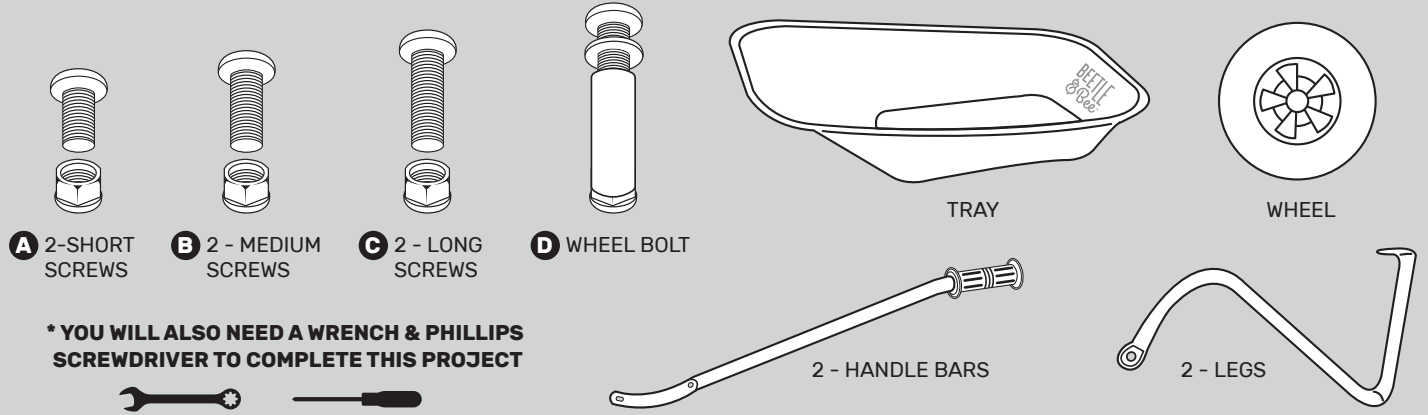
## BUILDING INSTRUCTIONS

Multi-lingual instructions available at: [www.beetleandbee.com](http://www.beetleandbee.com)

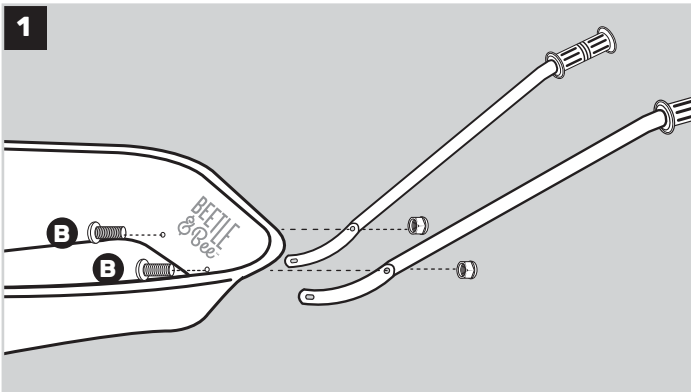
**WARNING:**  
CHOKING HAZARD - Small parts.  
Not for children under 3 years.



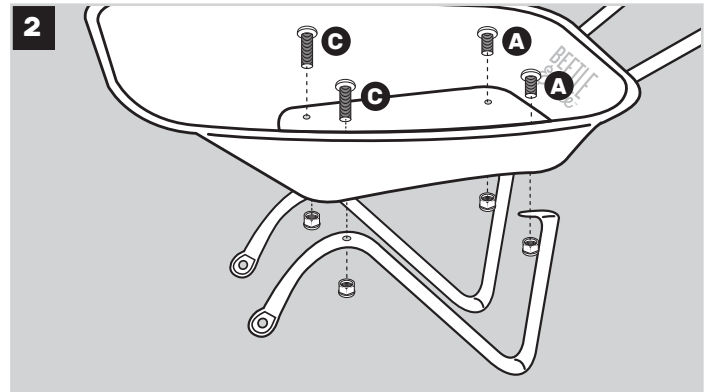
**CONTENTS**



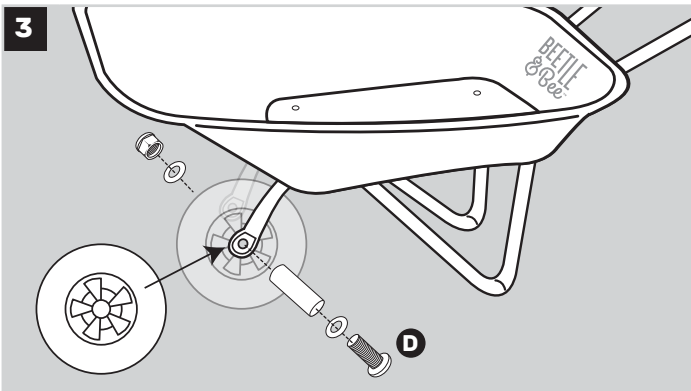
**TIP:** Read the instructions thoroughly before starting your project.



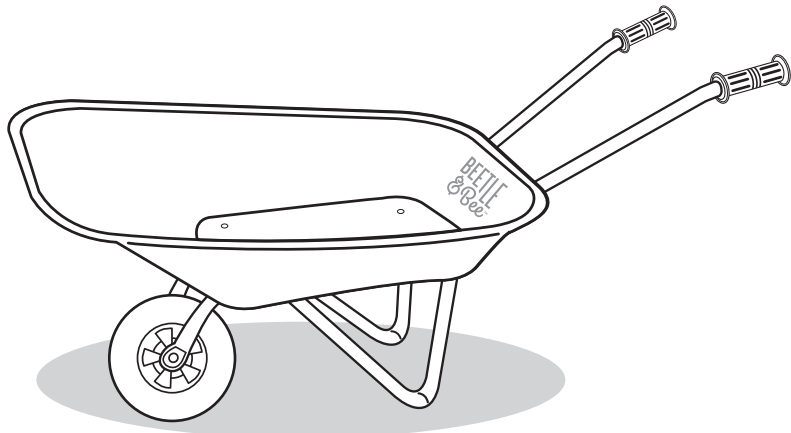
Attach top holes of the handle bars to tray using the Medium Screws (B).



Attach legs to bottom of tray using the Short Screws (A) and Long Screws (C).



Place wheel between the front of two legs and secure with wheel bolt.



**TIP:** Do not completely tighten the screws until the entire wheelbarrow is assembled.

